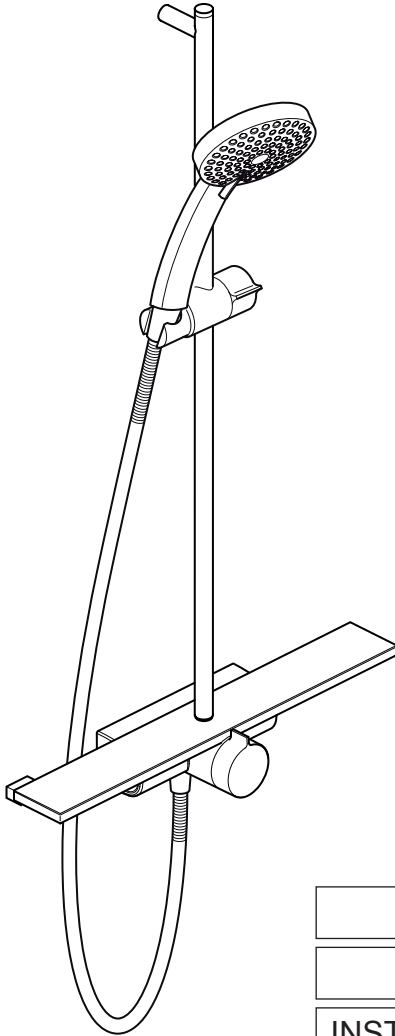


mira

tabla



MIRA TABLA

THERMOSTATIC MIXER

INSTALLATION & USER GUIDE

These instructions must be left with the user.

CONTENTS

Introduction	2
Patents and Design Registration	3
Safety Warnings	3
Specifications	4
Pressures	4
Temperatures	4
Thermostatic Shut-down	4
Connections	4
Dimensions	5
Pack Contents	6
Installation	7
Suitable Plumbing Systems	7
General	7
Installing the Thermostatic Mixer	8
Commissioning	14
Maximum Temperature Setting	14
Operation	15
User Maintenance	16
Fault Diagnosis	16
Cleaning	17
Lubricants	17
Spare Parts	18
Notes	19
Customer Service	Back Page

INTRODUCTION

Thank you for purchasing a quality Mira product. To enjoy the full potential of your new product, please take time to read this guide thoroughly, having done so, keep it handy for future reference.

The Mira Tabla is a thermostatic mixing valve with a single control knob for on/off and temperature control.

The Mira Tabla has a 500 mm glass storage shelf and is supplied complete with a multi mode showerhead and shower fittings kit.

The thermostatic mixer incorporates a wax capsule temperature sensing unit, which provides an almost immediate response to changes in pressures or temperature of the incoming water supplies to maintain the selected temperature. An adjustable maximum temperature stop is provided which limits the temperature to a safe level. Inlet filters are fitted to protect the thermostatic cartridge.

Guarantee

For **domestic installations**, Mira Showers guarantee the Mira Tabla against any defect in materials or workmanship for a period of **three** years from the date of purchase (shelf and shower fittings for one year).

For **non-domestic installations**, Mira Showers guarantee the Mira Tabla against any defect in materials or workmanship for a period of **one** year from the date of purchase.

For terms and conditions refer to the back cover of this guide.

Recommended Usage

Application	Valve with Fittings
Domestic	✓
Light Commercial	✓
Heavy Commercial	✗
Healthcare	✗

If you experience any difficulty with the installation or operation of your new thermostatic mixer, please refer to '**Fault Diagnosis**', before contacting Mira Showers. Our contact details can be found on the back cover of this guide.

Patents and Design Registration

Patents:

GB: 2 291 693, 2 340 210, 2 392 225,
2 421 297

Euro: 1 672 257 DE, FR, GB, IT, NL, SE

USA: 7 240 850

Patent Applications:

Euro: 03254070.0

USA: 2006-0124758-A1, 2007-0221740-A1

Design Registration:

001065023-0001,0002

SAFETY WARNINGS

General

Mira thermostatic mixers are precision engineered and should give continued safe and controlled performance, provided:

1. They are installed, commissioned, operated and maintained in accordance with the manufacturer's recommendations.
2. Periodic attention is given, when necessary, to maintain the product in good functional order.

Warning!

1. Read all of these instructions.
2. Retain this guide for later use.
3. Pass on this guide in the event of change of ownership of the installation site.
4. Follow all warnings, cautions and instructions contained in this guide.
5. Anyone who may have difficulty understanding or operating the controls of any shower should be attended whilst showering. Particular consideration should be given to the young, the elderly, the infirm or anyone inexperienced in the correct operation of the controls.
6. Rapid/Excessive movement of the flow and/or temperature control levers may result in momentary unstable blend temperatures.
7. Care is required when adjusting flow or temperature, make sure that the temperature has stabilised.
8. When this product has reached the end of its serviceable life, it should be disposed of in a safe manner, in accordance with current local authority recycling, or waste disposal policy.

SPECIFICATIONS

Pressures

- Max Static Pressure: **10 Bar**.
- Max Maintained Pressure: **5 Bar**.
- Min Maintained Pressure (Gravity System): **0.1 Bar**. (0.1 bar = 1 Metre head from cold tank base to showerhead outlet.)
Note! For gravity fed / other low pressure systems (0.5 bar or below) do not fit the outlet flow regulator.
- For optimum performance supplies should be nominally equal.

Temperatures

- Factory Pre-set (Blend) Shower: **41°C**.
- Optimum Thermostatic Control Range: **35°C to 43°C** (achieved with supplies of 15°C cold, 65°C hot and nominally equal pressures).
- Recommended Hot Supply: **60°C to 65°C**
Note! The mixing valve can operate at higher temperatures for short periods without damage, however this could detrimentally affect thermostatic performance. For safety and performance reasons it is recommended that the maximum hot water temperature is limited to 65°C.
- Cold Water Range: up to **25°C**.
- Minimum Recommended Differential between Hot Supply and Outlet Temperature: **12°C**.

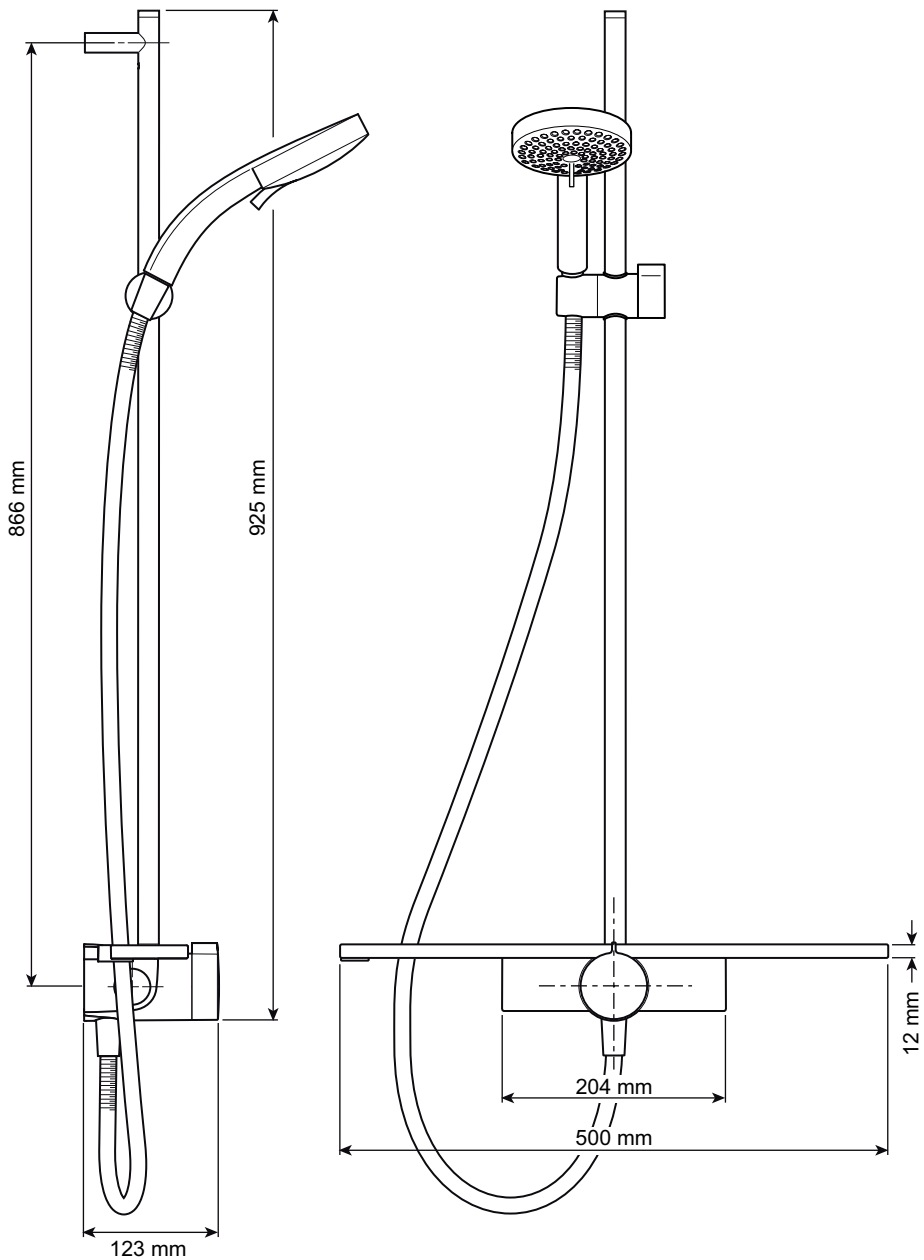
Thermostatic Shut-down

- For safety and comfort the thermostat will shut off the mixing valve **within 2 Seconds** if either supply fails (achieved only if the blend temperature has a minimum differential of 12°C from either supply temperature).

Connections

- Inlets: 15 mm Compression.
- Outlet: ½" BSP Flat Face.
- Standard connections are: **hot - left, cold - right, outlet - bottom**.
- **Important! This product can only be installed with rear fed inlet supply pipes.**

Dimensions

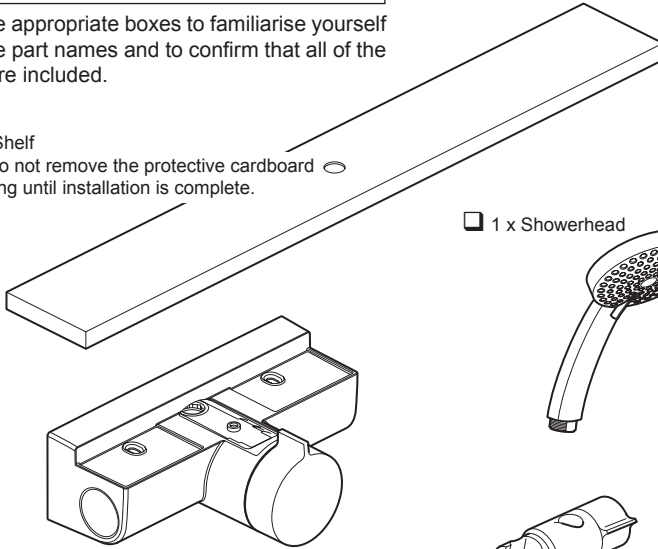


PACK CONTENTS

Tick the appropriate boxes to familiarise yourself with the part names and to confirm that all of the parts are included.

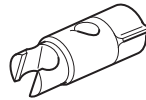
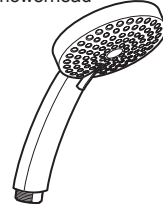
1 x Shelf

Note! Do not remove the protective cardboard packaging until installation is complete.



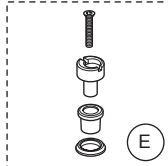
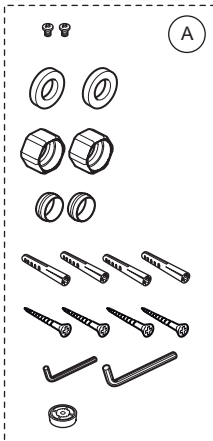
1 x Mira Table
Thermostatic Mixing Valve
(supplied attached to the backplate and shroud)

1 x Showerhead



1 x Clamp Bracket

1 x Slide Bar



1 x Component Pack (A)

1 x Hose Retaining Clip and
Control Knob Concealing Cap Pack (B)

1 x Top Slide Bar Support Packs (C & D)

1 x Bottom Slide Bar Support Pack (E)

1 x Shower Hose
(supplied with 2 x hose seals)

1 x 'O' Key

Documentation

1 x Guarantee Registration Document

INSTALLATION

Suitable Plumbing Systems

Gravity Fed:

The thermostatic mixer must be fed from a cold water cistern (usually fitted in the loft space) and a hot water cylinder (usually fitted in the airing cupboard) providing nominally equal pressures.

Mains Pressurised Instantaneous Hot Water System (Combination Boiler):

The thermostatic mixer can be installed with systems of this type with balanced pressures. (Recommended Minimum Maintained Pressure: **1.0 Bar.**)

Unvented Mains Pressure System:

The thermostatic mixer can be installed with an unvented, stored hot water system.

Pumped System:

The thermostatic mixer can be installed with an inlet pump (twin impeller). The pump must be installed in a suitable location and in accordance with its instructions.

General

Important! The Mira Table is not retro-fittable and is only suitable for new installations with rear fed inlet supply pipes.

Installation must be carried out in accordance with these instructions, and must be conducted by designated, qualified and competent personnel.

The installation must comply with the 'Water Supply Regulations 1999 (Water Fittings)' or any particular regulations and practices, specified by the local water company or water undertakers.

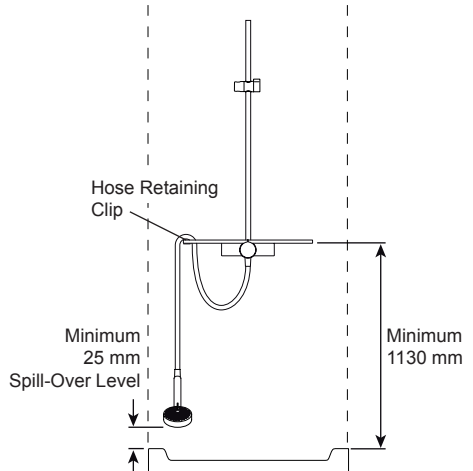
Note! Make sure that all site requirements correspond to the information given in section: '**Specifications**'.

1. The Mixer must not be installed in an area where it may freeze.
2. For stud partitions alternative fixings may be required.
3. Isolating valves **must** be installed close to the Mixer for ease of maintenance.
4. Pipework must be rigidly supported and avoid any strain on the connections.

5. Pipework dead-legs should be kept to a minimum.
6. Decide on a suitable position for the Mixer, i.e. in the centre of the shower cubicle (refer to the illustration below).

Important! The position of the mixer and the shower fittings must provide a minimum gap of 25 mm between the spill-over level of the shower tray and the showerhead. This is to prevent back-siphonage.

Note! Only use Shower Fittings recommended by the manufacturer or supplier.

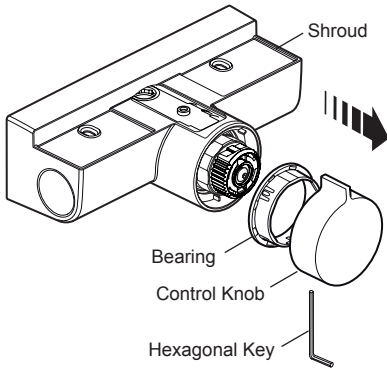


Important! The hose retaining clip or alternative slide bar hose retaining ring (refer to section: '**Spare Parts**') must be fitted to prevent the showerhead from dropping below the spill-over level of the shower tray, which could lead to contamination from back-siphonage. However, there will be occasions when these hose retaining devices will not provide a suitable solution due to the minimum distance (1130 mm) required between the spill-over level and the shelf (typically if installed above a bath). In these instances, an **outlet** double checkvalve, e.g. the Mira DCV-H, **must** be fitted. The inclusion of the Mira DCV-H will increase the required supply pressure typically by 10 kPa (0.1 bar).

The Mira DCV-H can be purchased direct from Mira Customer Services or from approved stockists or merchants.

Installing the Thermostatic Mixer

1. Loosen the control knob grub screw with the 2.5 mm hexagon key (supplied) and pull off the control knob and bearing.

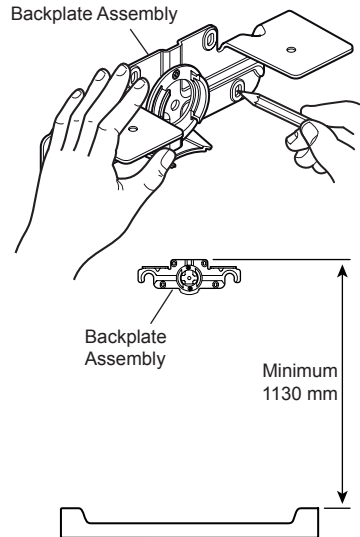
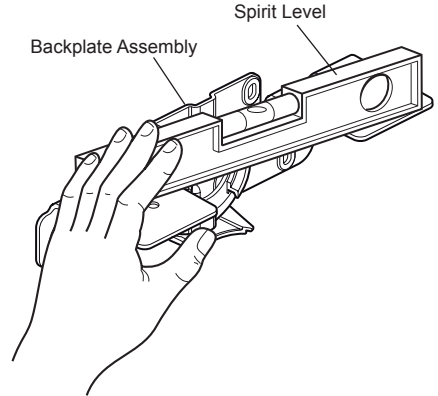


2. Remove the shroud from the mixer.
3. Remove the mixer from the backplate by loosening the two grub screws with a 2.5 mm hexagonal key (supplied).

4. With the backplate assembly positioned centrally in the shower area, mark the positions of the holes for the backplate and the pipe centres.

Caution! The top of the backplate assembly **must** be installed at a minimum height of 1130 mm from the spill-over level of the shower tray.

Important! Use a spirit level to make sure that the backplate assembly is level.

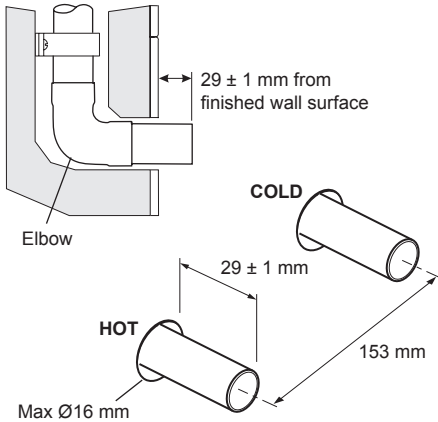


5. Drill the holes for the supply pipes at 153 mm centres.

Important! The holes should be drilled a maximum diameter of 16 mm.

6. Fit the supply pipework: **Hot - Left, Cold - Right.** The inlet pipework should extend 29 ± 1 mm from the finished wall surface.

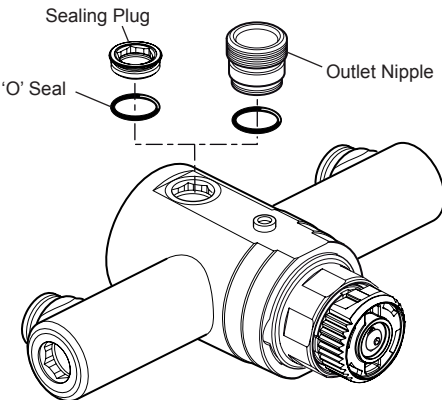
Note! If it is not possible to install the mixer with this pipework configuration follow instruction 7, otherwise go to instruction 8.



7. Reversed Inlet Supplies Only:

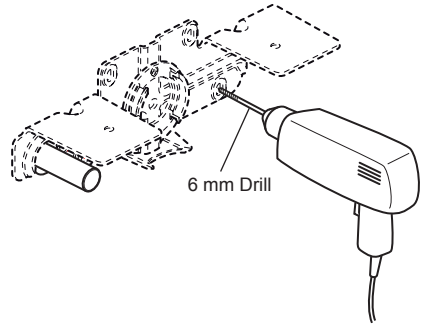
- a) Remove the sealing plug using the 'O' key (supplied) or a 12 mm hexagonal key.
- b) Remove the outlet nipple using the 'O' key (supplied) or a 12 mm hexagonal key.
- c) Refit the sealing plug and outlet nipple in the opposite outlets and tighten.

Note! Make sure that the 'O' seals are correctly fitted.



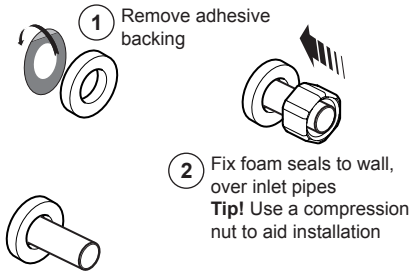
8. Offer up the backplate assembly to the wall and check the position of the fixing holes, for solid walls drill the holes for the backplate with a 6 mm drill and insert the wall plugs (supplied). For other types of wall structure alternative fixings may be required (not supplied).

Caution! Take care not to drill through any concealed pipework.



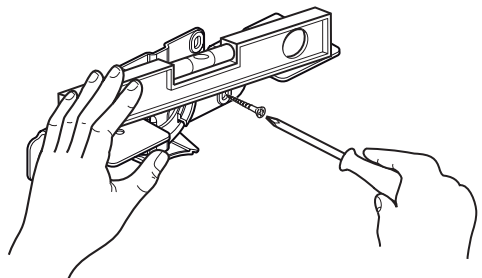
9. Remove the adhesive backing from the foam seals, fit them over the inlet pipes and stick them to the wall.

Tip! Use the back of the compression nut to push the foam seal over the inlet pipes.



10. Secure the backplate assembly to the wall using the screws (supplied).

Important! Use a spirit level to make sure that the backplate assembly is level.

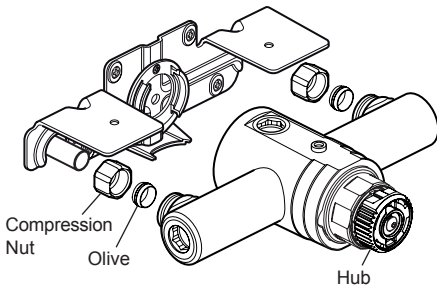


11. Caution! It is essential at this point that the supply pipework is thoroughly flushed through before connection to the mixer. Failure to do so may result in product malfunction and will not be covered under the guarantee.

12. Fit the compression nuts and olives onto the pipework.

13. Align the mixer with the pipework and fit onto the backplate.

Important! Make sure that the hot and cold inlets on the mixer correspond with the hot and cold inlet supplies.

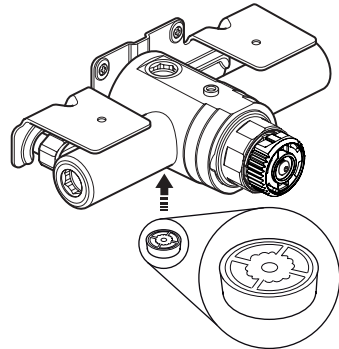


14. Tighten the compression nuts onto the mixer with a suitable spanner.

15. Tighten the two grub screws to secure the mixer to the backplate.

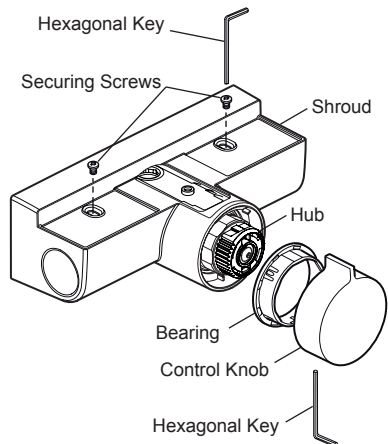
16. Make sure that the flow control (hub) is in the off position (fully clockwise), turn on the hot and cold water supplies and check for leaks.

17. For user comfort on high pressure systems, a 12 litre/minute flow regulator (supplied) can be fitted inside the outlet nipple. Make sure that the flow regulator is fitted correctly (refer to illustration).



18. Slide the shroud over the mixer and carefully push and hold against the wall, make sure that the shroud is aligned with the shroud cap (underneath the mixer) and secure with the two screws, tighten using a 2.5 mm hexagon key (supplied).

Caution! Do not overtighten.



19. Push on the bearing, then push and hold the control knob onto the mixer with the grub screw at the bottom. Tighten the grub screw with a 2.5 mm hexagon key (supplied).

Note! The hub must be in the off position (fully clockwise).

20. Fit the washer over the rubber sleeve and push into the top of the shelf hole, (the black surface of the shelf must be face down).

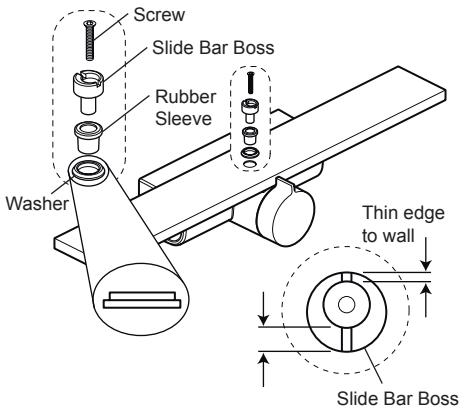
21. Push the slide bar boss into the rubber sleeve.

22. The shelf is supplied in protective cardboard packaging, make sure that this remains fitted until installation is complete.

Fit the shelf onto the mixer (the black surface of the shelf must be face down), make sure that the hole in the slide bar boss is aligned with the threaded hole on the mixer (use the long end of the hexagonal key to aid alignment) and secure with the screw.

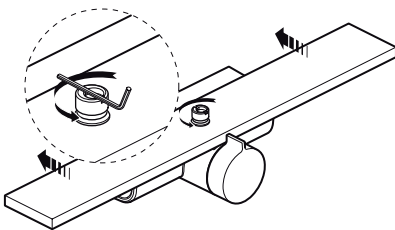
Caution! Do not overtighten.

Important! Make sure that the thin edge of the slide bar boss is towards the wall.



23. The slide bar boss has a cam feature. Use a hexagonal key in the slot (refer to illustration below) and rotate 180° anti-clockwise to pull the shelf tight to the shroud. Re-tighten the screw if necessary.

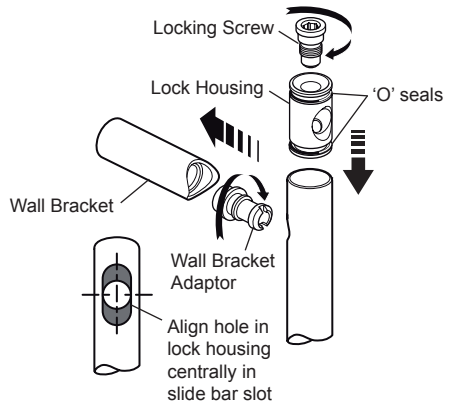
Note! If the shelf does not pull tight to the shroud, remove the shelf and rotate 180°, then re-secure and rotate the slide bar boss.



24. Assemble the top slide bar support assembly

- Screw the wall bracket adaptor into the wall bracket.
- Fit the two 'O' Seals onto the lock housing then push the assembly into the end of the slide bar (align the hole in the lock housing centrally with the hole in the slide bar), refer to illustration.
- Push the wall bracket adaptor through the slide bar into the lock housing.
- Secure the support assembly with the locking screw, tighten using a 6 mm hexagon key (supplied).

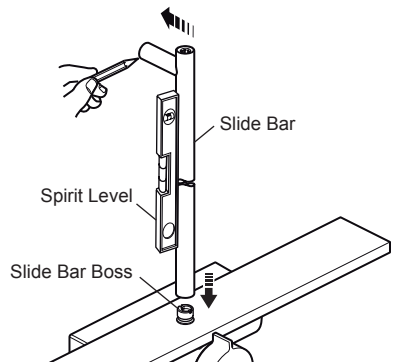
Caution! Do not overtighten.



25. Carefully push the slide bar onto the slide bar boss on the shelf and offer the assembly up to the wall.

26. Mark the position of the slide bar support.

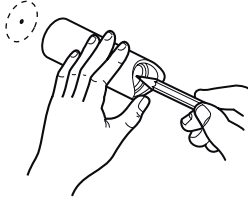
Important! Use a spirit level to make sure that the slide bar is vertical.



27. Remove the slide bar from the shelf.

28. Unscrew the locking screw and remove the wall bracket and wall bracket adaptor from the slide bar.

29. Unscrew the wall bracket adaptor from the wall bracket, then, using the wall bracket as a guide, mark the centre of the hole position.



30. For solid walls drill the hole for the slide bar support with a 6 mm drill and insert the wall plug (supplied). For other types of wall structure alternative fixings may be required (not supplied).

Caution! To protect the surface of the shelf protective cardboard packaging is fitted, this must remain in place before drilling.

31. Secure the wall bracket to the wall with the screw (supplied) and screw the wall bracket adaptor into the wall bracket.

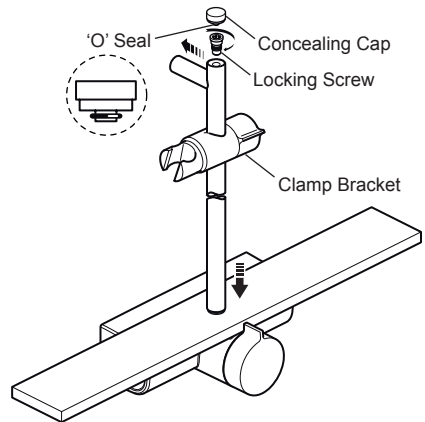
32. Slide the clamp bracket onto the slide bar.

33. Attach the slide bar onto the slide bar boss and wall bracket adaptor, making sure that they are fitted together correctly.

34. Secure the support assembly with the locking screw, tighten using a 6 mm hexagon key (supplied).

Caution! Do not overtighten.

35. Fit the 'O' seal onto the concealing cap then push the assembly into the end of the slide bar.



36. Screw the hose onto the outlet of the shower control (make sure that the hose seal is fitted). **Do not overtighten.**

37. Pass the hose behind the shelf, either on the left or right (as desired) and screw the remaining end onto the showerhead (make sure that the hose seal is fitted). **Do not overtighten.**

38. Place the showerhead into the clamp bracket.

Note! The clamp bracket is tapered so that the showerhead will only fit from one direction. If necessary rotate the clamp bracket through 180°.

Note! If the clamp bracket pivots downwards under the weight of the showerhead the central securing screw in the bracket will require tightening to hold the showerhead in position.

39. Remove the protective cardboard packaging from the shelf.
40. Prior to fixing the hose retaining clip, the underside of the shelf must be cleaned with the cleaning wipe, pay particular attention to the area where the hose retaining clip is to be fitted.

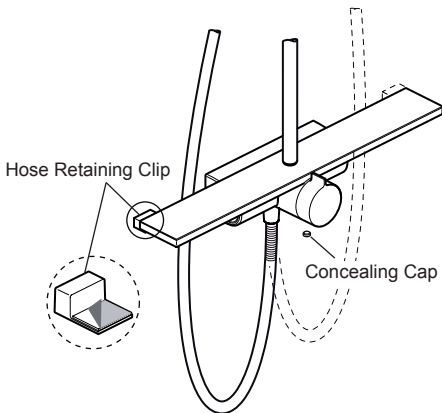
Important! Surface must be clean and dry. For use at room temperature. Always assume that the surface is dirty, as even fingermarks affect the strength of the bond.

Open sachet, remove towelette and wipe across surface in one direction only until the surface is clean. Allow 5 minutes evaporation time before bonding.

Warning! Contains Isopropyl alcohol. Irritating to eyes. Vapours may cause drowsiness and dizziness. Keep away from sources of ignition - No Smoking. Use only in well ventilated areas. Do not breath vapour. Avoid contact with skin and eyes. In case of contact with the eyes, rinse immediately with plenty of water and seek medical advice. After contact with skin, wash immediately with plenty of soap and water. Use only as directed.

41. Remove the adhesive backing from the hose retaining clip and fix it to the underside of the shelf on the same side as the hose (refer to illustration).

Note! Apply firm pressure for a minimum of 10 seconds to make sure that the clip is bonded sufficiently.



42. Before fitting the control knob concealing cap, and before using the shower, refer to section: 'Commissioning'.

COMMISSIONING

Maximum Temperature Setting

Before using the shower, the maximum temperature must be checked to make sure that it is at a safe level. It has been preset to approximately 41°C at the factory but due to variations in site conditions the maximum temperature may need adjustment.

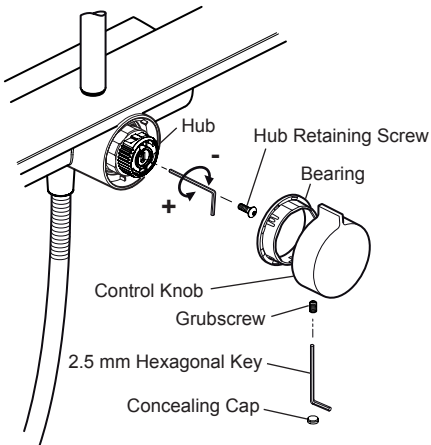
Note! Make sure that the hot water temperature is at least 55°C and that there is sufficient supply.

1. Turn on the mixer to the maximum temperature and maximum flow (i.e. fully anticlockwise) and allow the temperature to stabilise.

If the temperature is too hot or too cold adjust as follows:

2. Carefully remove the concealing cap from the control knob (if fitted).
3. Loosen the control knob grubscrew with the 2.5 mm hexagon key (supplied) and pull off the control knob.
4. Unscrew and remove the hub retaining screw with a 2.5 mm hexagon key.

Important! Do not remove the hub.



5. Insert the 2.5 mm hexagon key into the centre of the spindle and engage with the recessed temperature adjusting screw.
6. Rotate the hexagon key until the required maximum temperature is obtained at the shower. Rotate anticlockwise to increase the temperature, or clockwise to decrease the temperature ($\frac{1}{4}$ turn = approximately 1°C).

7. Once the desired maximum blend temperature has been achieved turn off the mixer by rotating the hub fully clockwise.

Important! Do not remove the hub.

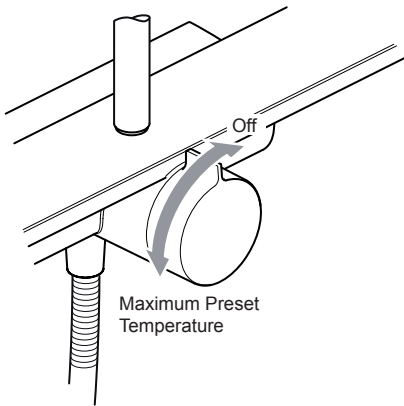
8. Refit the hub retaining screw.
9. Refit the control knob with the grubscrew at the bottom and retighten the grubscrew.
10. Refit the concealing cap.
11. Check that the shower temperature is correct.

OPERATION

The **Mira Tabla** is a thermostatic mixing valve which has a single sequential control knob for on/off and temperature control.

The control knob operates anti-clockwise in the following sequence:

- Off
- On
- Cold
- Warm
- Maximum Preset Temperature



USER MAINTENANCE

If you require a Mira trained service engineer or agent, refer to section: '**Customer Services**'.

Fault Diagnosis

Symptom:

- Only hot or cold water from the mixer outlet.
- Outlet temperature too hot / too cold.

Cause / Rectification:

- Inlets reversed (hot supply to cold supply).
 - No hot water reaching mixer.
 - Check the filters for any blockage.
 - Installation conditions outside operating parameters, refer to sections: '**Specifications**' and '**Commissioning**'.
-

Symptom:

- Fluctuating or reduced flow rate.

Cause / Rectification:

- Check the showerhead, hose and filters for any blockage and clean.
 - Make sure that the maintained inlet pressures are nominally balanced and sufficient, refer to section: '**Specifications**'.
 - Make sure that the inlet temperature differentials are sufficient, refer to section: '**Specifications**'.
 - Flow regulator fitted incorrectly.
 - Air lock or partial blockage in the pipework.
-

Symptom:

- Water leaking from showerhead.

Cause / Rectification:

- Normal for a short period after shut off.
 - Check that the pressures are not in excess of the specifications for the product.
 - Renew the thermostatic cartridge.
-

Symptom:

- Shelf not tightening down onto shroud.

Cause / Rectification:

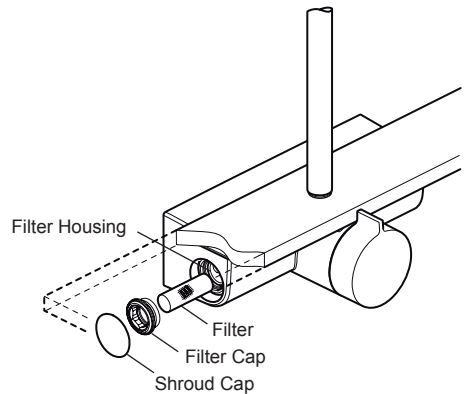
- Make sure that the washer is fitted.

Inlet Filters

The hot and cold inlet filters should be checked and cleaned as necessary every 12 months.

Note! The inlet filters must not be removed except for cleaning. If the thermostatic mixer is operated without the inlet filters fitted, the warranty on the product will be void.

1. Isolate the hot and cold water supplies and operate the control lever to drain any residual water.
2. Carefully remove the shroud caps and unscrew the filter caps with the 'O Key' (supplied) or a 12 mm hexagonal wrench and remove the filters from the elbows.



3. Clean the filters under a jet of water to remove any lodged particles.
4. Refit the filters and tighten the filter caps.

Caution! Before refitting the filters, make sure that there are no particles inside the filter housing.

Note! Make sure that the 'O' seal is fitted correctly and not damaged.

5. Turn on the hot and cold water supplies and check for leaks.
6. Refit the shroud caps.

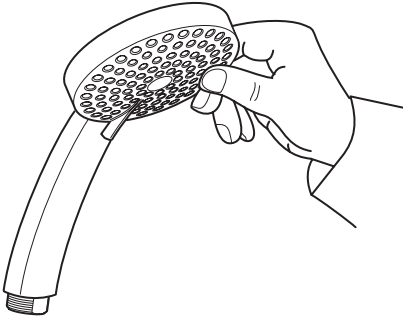
Cleaning

The chrome plated parts should be cleaned using a mild washing up detergent or soap solution, rinsed and then wiped dry with a soft cloth.

Warning! Many household cleaners contain abrasive and chemical substances, and should not be used for cleaning plated or plastic fittings.

Do not use descalents on this product. Use your thumb or a soft cloth to wipe any limescale from the soft nozzles and the front surface of the showerhead spray plate.

Important! The spray plate **must** be regularly cleaned to make sure that the showerhead does not become blocked.



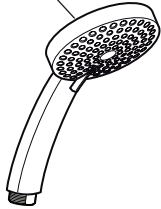
Lubricants

Only use silicone based lubricants on the rubber seals.

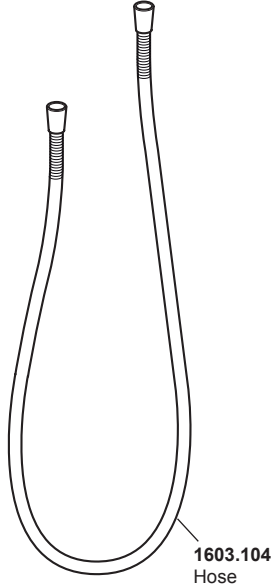
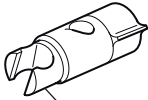
Caution! Oil based or other lubricant types may cause rapid deterioration of seals.

SPARE PARTS

1672.018
Showerhead

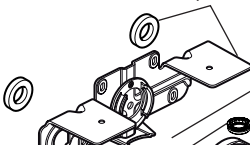


1672.015
Clamp Bracket

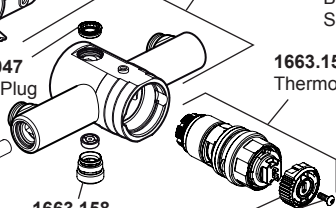


1603.104
Hose

1672.048
Backplate Assembly



1672.039
Body and Elbow
Assembly



1672.035
Bottom Slide Bar
Support Pack

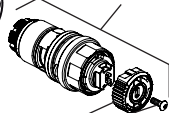


1672.045
Filter Cap
Assembly

1672.047
Outlet Plug

1663.158
Outlet Nipple

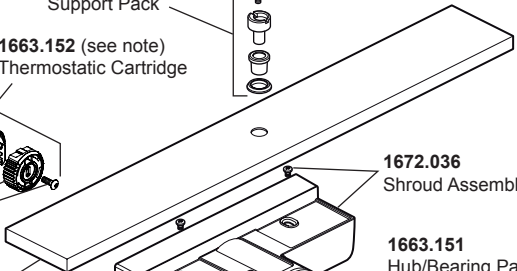
1663.152 (see note)
Thermostatic Cartridge



1672.046
Filter Pack (x2)

1663.151
Hub/Bearing
Pack

1672.034
Shelf Assembly



1663.265 Flow Regulator Pack

1672.027 Screw Pack

(contains all screws, not illustrated)

1672.028 Hose Retaining Clip and Concealing Cap

(components identified 'A')

1672.032 Component Pack

(not illustrated, refer to section: 'Pack Contents')

1672.049 Seal Pack

(contains all seals, not illustrated)



1595.231
'O' Key



1682.017
Slide Bar Hose Retaining
Ring (optional)

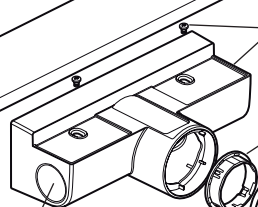
1672.038
Top Slide Bar
Support Pack



1672.037
Slide Bar



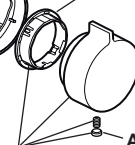
1672.036
Shroud Assembly



1663.151
Hub/Bearing
Pack

1672.016
Shroud Caps (x2)

1672.033
Knob Pack



Note! A Cartridge Removal Tool (1672.017) is required when replacing the thermostatic cartridge (1663.152), available free of charge from Mira Customer Services.

NOTES

CUSTOMER SERVICE

Guarantee of Quality

Mira Showers guarantee your product against any defect in materials or workmanship, provided that it is installed and maintained in accordance with the instructions given in this guide.

To validate the guarantee, please return your completed registration card within 30 days of product installation.

Within the guarantee period we will resolve defects, free of charge, by repairing or replacing parts or modules as we may choose.

To be free of charge, service work must only be undertaken by Mira Showers or our approved agents.

Service under this guarantee does not affect the expiry date of the guarantee.

The guarantee on any exchanged parts or product ends when the normal product guarantee period expires.

Not covered by this guarantee:

Planned maintenance, or replacement parts required to comply with the servicing requirements of the TMV 2 and TMV 3 healthcare schemes (where applicable).

Damage or defects arising from incorrect installation, improper use or lack of maintenance, including build-up of limescale.

Damage or defects if the product is taken apart, repaired or modified by any persons not authorised by Mira Showers or our approved agents.

This guarantee is in addition to your statutory and other legal rights.

What to do if something goes wrong

If when you first use your shower, it doesn't function correctly, first contact your installer to check that installation and commissioning are satisfactory and in accordance with the instructions in this manual. We are on hand to offer you or your installer any advice you may need.

Should this not resolve the difficulty, simply contact our Customer Services Team who will give every assistance and, if necessary, arrange for our service engineer to visit. If the performance of your shower declines, consult this manual to see whether simple home maintenance is required. Please call our Customer Services Team to talk the difficulty through, request a service under guarantee if applicable, or take advantage of our comprehensive After-Sales service.

As part of our quality and training programme calls may be recorded or monitored.

Our Customer Services Team is comprehensively trained to provide every assistance you may need: help and advice, spare parts or a service visit.

Spare Parts

We maintain an extensive stock of spares and aim to provide support throughout the product's expected life.

Genuine Mira spares can be purchased direct from Customer Services or from approved stockists or merchants (locations on request).

Spare parts will normally be despatched within two working days. Payment can be made using most major Credit or Debit cards at the time of ordering. Should payment by cheque be preferred, a pro-forma invoice will be sent.

All spares are guaranteed for 12 months from the date of purchase. Spares that have been supplied directly from us can be returned within one month from the date of purchase, providing that they are in good order and the packaging is unopened.

Note! Returned spares will be subject to a 15% restocking charge and authorisation must be obtained before return. Please contact our Customer Services Team.

Note! In the interests of safety, spares requiring exposure to mains voltages should only be fitted by competent persons.

Service / Repairs

Our Service Force is available to provide a quality service at a reasonable cost. You will have the assurance of a Mira trained engineer/agent, genuine Mira spare parts and a 12 month guarantee on the repair.

Payment should be made directly to the engineer/agent who will accept most major Credit or Debit cards or a cheque supported by a banker's card.

To Contact Us

England, Scotland, Wales and Northern Ireland

Mira Showers Customer Services

Telephone: 0870 241 0888

E-mail: technical@mirashowers.com

Fax: 01242 282595

By Post: Cromwell Road, Cheltenham, Gloucestershire, GL52 5EP

Eire

Modern Plant Ltd (Dublin)

Telephone: 01 459 1344

E-mail: sales@modernplant.ie

Fax: Dublin 01 459 2329

Post: Otter House, Naas Road, Clondalkin, Dublin 22



Mira is a registered trade mark of Kohler Mira Limited.

The company reserves the right to alter product specifications without notice.

www.mirashowers.co.uk

mira
SHOWERS



FM 14648